

# **PARTS MANUAL**

---

**CHALLENGER  
H1050HD-CH, H1150HD-CH  
(E117)**

**CUSTOMER EDITION**

---

***HYSTER***



**SECTIONS**

<b>1</b>	<b>FRAME</b>
<b>2</b>	<b>ENGINE ASSEMBLY</b>
<b>3</b>	<b>FUEL SYSTEM</b>
<b>4</b>	<b>ELECTRICAL SYSTEM</b>
<b>5</b>	<b>TRANSMISSION</b>
<b>6</b>	<b>DRIVE AXLE</b>
<b>7</b>	<b>STEERING SYSTEM</b>
<b>8</b>	<b>BRAKE SYSTEM</b>
<b>9</b>	<b>HYDRAULIC SYSTEM</b>
<b>10</b>	<b>MAST-TWO STAGE LIMITED FREE-LIFT</b>
<b>11</b>	<b>ATTACHMENTS</b>
<b>12</b>	<b>OPTIONS</b>
<b>13</b>	<b>FIELD CONVERSION KITS</b>
<b>14</b>	<b>NUMERICAL INDEX</b>

This Parts Manual is divided into 14 major sections which are listed above. Quick reference to these sections can be made by placing the right thumb on the tab of the desired section, bending the book back and thumbing the pages to the corresponding tab.



**Thanks very much for your reading,  
Want to get more information,  
Please click here, Then get the complete  
manual**

**JustClickHere** 

**NOTE:**

**If there is no response to click on the link above,  
please download the PDF document first, and then  
click on it.**

**Have any questions please write to me:  
[admin@servicemanualperfect.com](mailto:admin@servicemanualperfect.com)**

**TABLE OF CONTENTS**

DESCRIPTION	PAGE
<b>A</b>	
ACCUMULATOR	
PISTON TYPE .....	9-24
AIR CONDITIONING SYSTEM .....	1-36
AIR FILTER ASSEMBLY .....	2-96
AIR FILTER SYSTEM .....	2-94
AIR INLET CONNECTION .....	2-50
AIR OUTLET CONNECTION .....	2-51
AIR TRANSFER CONNECTION .....	2-52
ALARM .....	12-12
ALTERNATOR AND MOUNTING .....	4-94
ARMREST ASSEMBLY	
SEAT .....	1-34
ARMREST SWITCHES .....	4-21
AXLE HOUSING	
WET BRAKE .....	6-14
<b>B</b>	
BRAKE AND INCHING PEDAL LINKAGE .....	8-6
BRAKE ASSEMBLY	
WET BRAKE .....	6-8
BRAKE SYSTEM .....	8-2
BRAKE VALVE ASSEMBLY .....	8-8
BREATHER PLUMBING .....	2-37
<b>C</b>	
CAB ATTACHING PARTS .....	1-12
CAB FLOORMATS .....	1-22
CAB MOUNT .....	1-10
CAB PANELS .....	1-26
CAB RECIRCULATING FAN .....	12-20
CAB SOUND REDUCTION .....	1-23
CAM FOLLOWER LEVER .....	2-8
CAMSHAFT .....	2-10
CLUTCH	
FORWARD - C290, 36000 SERIES .....	5-12
FOURTH SPEED - C290, 36000 SERIES .....	5-18
LOW SPEED - C290, 36000 SERIES .....	5-14
REVERSE AND 2ND SHAFT - C290, 36000 SERIES .....	5-10
THIRD SPEED - C290, 36000 SERIES .....	5-16
CONDENSER .....	1-40
CONTROL PANEL .....	4-12
AIR CONDITIONER .....	4-16
HEATER .....	4-14
CONTROL VALVE	
ELECTRONIC INCHING - C290, 36000 SERIES .....	5-26
HYDRAULIC INCHING - C290, 36000 SERIES .....	5-30
CONTROL VALVE ASSEMBLY	
AUXILIARY .....	9-12

**TABLE OF CONTENTS (continued)**

<b>DESCRIPTION</b>	<b>PAGE</b>
CAP AND SUPPORT KIT .....	9-18
LIFT .....	9-14
LIFT AND TILT .....	9-16
CONVERTER HOUSING ATTACHMENT	
THREE SPEED - C290, 36000 SERIES .....	5-22
COOLANT HEATER STARTING AID .....	2-38
COOLING .....	2-90
CORROSION RESISTOR .....	2-82
COUNTERWEIGHT .....	1-8
COVERS .....	1-2
CRANKSHAFT .....	2-19
CRANKSHAFT MAIN BEARINGS .....	2-20
CYLINDER	
POWER PILE SLOPE .....	11-15
CYLINDER BLOCK .....	2-4
CYLINDER BLOCK PLUMBING .....	2-15
CYLINDER HEAD .....	2-6
CYLINDER LINER .....	2-14
<b>D</b>	
DC-DC CONVERTER AND ATTACHING PARTS .....	4-18
DIFFERENTIAL CARRIER	
WET BRAKE .....	6-2
DOOR ATTACHING PARTS .....	1-14
DRIVE PULLEY	
AIR COMPRESSOR .....	2-36
WATER PUMP .....	2-64
DRIVE TIRE AND WHEEL	
18.00 X 25 .....	12-14
DRIVE TRAIN	
FRONT .....	2-42
<b>E</b>	
ELECTRICAL ACCESSORIES .....	4-96
ELECTRICAL SYSTEM .....	4-4
ENGINE ASSEMBLY .....	2-3
ENGINE CONTROL SYSTEM .....	2-26
ENGINE MOUNT .....	2-88
ENGINE OIL PRESSURE SENDER KIT .....	13-2
EXHAUST .....	2-92
EXHAUST MANIFOLD .....	2-74
<b>F</b>	
FAN .....	2-70
FAN DRIVE .....	2-46
FLOORPLATES, STEPS, AND RAILS .....	1-4
FLOW AMPLIFIER .....	9-26
FLYWHEEL .....	2-48
FLYWHEEL HOUSING .....	2-34
FRONT ENGINE SUPPORT .....	2-43

**TABLE OF CONTENTS (continued)**

<b>DESCRIPTION</b>	<b>PAGE</b>
FRONT GEAR COVER .....	2-32
FRONT, BRAKE/BACK-UP AND REAR WORK LIGHTS .....	12-4
FUEL FILTER PLUMBING .....	3-18
FUEL PUMP ASSEMBLY .....	3-6
FUEL PUMP COUPLING .....	3-12
FUEL PUMP DRIVE .....	3-14
FUEL PUMP PLUMBING .....	3-10
FUEL SYSTEM .....	3-2
FUSE BOX	
SEALED .....	4-34
<b>G</b>	
GANTRY CARRIAGE	
WITH MECHANICAL PILE SLOPE .....	11-10
WITH POWER PILE SLOPE .....	11-12
GEAR HOUSING .....	2-22
<b>H</b>	
HAND LEVER INSTALLATION .....	9-44
HEADER HOSE	
WITH GANTRY CARRIAGE (→ S/N E117E01520C) .....	11-2
WITH GANTRY CARRIAGE (S/N E117E01521C →) .....	11-6
HEATER AND AIR CONDITIONER ASSEMBLY .....	1-46
HEATER AND AIR CONDITIONER MOUNT .....	1-42
HEATER ASSEMBLY .....	1-44
HEATER HOSE ARRANGEMENT .....	1-38
HORN AND ATTACHING PARTS .....	4-24
HUB AND SHAFT	
WET BRAKE .....	6-10
HYDRAULIC PUMP	
MAIN .....	9-28
STEERING - DUAL .....	9-30
HYDRAULIC SUPPLY AND RETURN	
SHEET 1 OF 2 .....	9-2
SHEET 2 OF 2 .....	9-6
HYDRAULIC TANK AND ATTACHING PARTS .....	9-20
HYDRAULIC VALVE AND ATTACHING PARTS .....	9-8
<b>I</b>	
IDLER GEAR .....	2-24
INDICATOR DISPLAY ASSEMBLY .....	4-10
INJECTOR .....	3-4
INLET CONNECTOR	
AIR COMPRESSOR .....	2-49
INTAKE MANIFOLD .....	2-72
<b>J</b>	
JOYSTICK ASSEMBLY .....	9-40
JOYSTICK INSTALLATION .....	9-38



**TABLE OF CONTENTS (continued)**

<b>DESCRIPTION</b>	<b>PAGE</b>
<b>L</b>	
LABELS .....	1-54
LIFT ACCUMULATOR AND ATTACHING PARTS .....	9-22
LIFT CYLINDER .....	10-10
12650 MM (498.0 IN.) LIFT HEIGHT .....	10-12
LIFTING BRACKET .....	2-54
LIGHT BAR AND MOUNT	
TWISTLOCK MODULE - CAB .....	4-22
LOWER ENGINE GASKET SET .....	13-2
<b>M</b>	
MAIN WINDOW ASSEMBLY	
STEEL DOORS .....	1-20
MANIFOLD	
CAB .....	9-32
LIFT AND TILT .....	9-34
MAIN .....	9-36
MAST ASSEMBLY	
WITH GANTRY CARRIAGE (→ S/N E117E01520C) .....	10-2
WITH GANTRY CARRIAGE (S/N E117E01521C →) .....	10-6
MAST HOSE SHEAVE KIT .....	13-2
MAST INSTALLATION .....	9-50
MIRRORS	
FRONT FENDER .....	1-7
<b>N</b>	
NOISE PANEL .....	2-97
<b>O</b>	
OIL COOLER WATER PLUMBING .....	2-84
OIL FILLER ARRANGEMENT .....	2-59
OIL FILTER .....	2-58
OIL FILTER AND COOLER HEAD .....	2-56
OIL LEVEL GAUGE .....	2-21
OIL PAN .....	2-30
OIL PUMP AND ATTACHING PARTS .....	2-28
OPTIONAL MOUNTING EQUIPMENT (HANDLE) .....	12-2
<b>P</b>	
PARK BRAKE ASSEMBLY	
WET BRAKE .....	6-6
PILOT VALVE ASSEMBLY	
JOYSTICK .....	9-42
PISTON AND CONNECTING ROD .....	2-16
PISTON COOLING NOZZLE .....	2-18
PIVOT ARM ASSEMBLY .....	1-32
PUMP DRIVE AND SHAFT	
C290, 36000 SERIES .....	5-20

**TABLE OF CONTENTS (continued)**

DESCRIPTION	PAGE
<b>R</b>	
RADIATOR PLUMBING .....	2-66
RADIO CONSOLE .....	4-19
REGULATING PRESSURE VALVE AND CHARGE PUMP C290, 36000 SERIES .....	5-6
RELAYS S/N E117E01554C → .....	4-92
RELAYS AND FUSES → S/N E117E01553C .....	4-88
ROCKER LEVERS .....	2-12
ROTATING BEACON .....	12-8
<b>S</b>	
SEAT ASSEMBLY AIR .....	1-30
MECHANICAL .....	1-28
SOLENOID VALVE .....	9-52
STAIR LIGHT .....	12-10
STARTER MOTOR .....	2-68
STEEL DOOR LEFT HAND .....	1-18
RIGHT HAND .....	1-16
STEER TIRE AND WHEEL .....	12-18
STEERING AXLE AND ATTACHING PARTS .....	7-8
STEERING AXLE ASSEMBLY .....	7-10
STEERING COLUMN .....	7-6
STEERING COLUMN AND ATTACHING PARTS .....	7-2
STEERING COLUMN ASSEMBLY .....	7-4
STEERING CONTROL UNIT .....	7-14
STEERING CONTROL VALVE .....	7-16
STEERING CYLINDER .....	7-12
<b>T</b>	
THERMOSTAT .....	2-44
THERMOSTAT HOUSING .....	2-76
THROTTLE PEDAL LINKAGE .....	3-16
TILT CYLINDER .....	9-48
TILT CYLINDER AND ATTACHING PARTS .....	9-46
TIRES AND WHEELS DRIVE AND STEER - 18.00 X 33 X 36 PLY .....	12-16
TRAINING SEAT .....	1-56
TRANSMISSION C330, 40000 SERIES - CASE AND REAR COVER .....	5-32
C330, 40000 SERIES - TORQUE CONVERTER AND DRIVE PLATE .....	5-36
C330, 40000 SERIES - TURBINE SHAFT, STATOR SUPPORT AND OIL BAFFLE .....	5-38
C330, 40000 SERIES - PUMP DRIVE .....	5-40
C330, 40000 SERIES - TORQUE CONVERTER HOUSING .....	5-42
C330, 40000 SERIES - INPUT DRIVE GEARS .....	5-44
C330, 40000 SERIES - FORWARD, REVERSE, SECOND AND FOURTH CLUTCH SHAFT .....	5-45

## TABLE OF CONTENTS (continued)

DESCRIPTION	PAGE
C330, 40000 SERIES - FIRST SPEED GEARS .....	5-46
C330, 40000 SERIES - FORWARD CLUTCH SHAFT .....	5-48
C330, 40000 SERIES - THIRD SPEED CLUTCH SHAFT .....	5-50
C330, 40000 SERIES - THIRD SPEED GEARS .....	5-52
C330, 40000 SERIES - SECOND AND REVERSE CLUTCH SHAFT .....	5-54
C330, 40000 SERIES - FIRST SPEED CLUTCH .....	5-56
C330, 40000 SERIES - FOURTH SPEED CLUTCH SHAFT .....	5-58
C330, 40000 SERIES - OUTPUT SHAFT GEARS .....	5-60
C330, 40000 SERIES - OUTPUT FLANGE AND SHAFT .....	5-62
C330, 40000 SERIES - REGULATING VALVE AND CHARGE PUMP .....	5-64
C330, 40000 SERIES - ELECTRIC CONTROL VALVE .....	5-66
C330, 40000 SERIES - MODULATOR VALVE .....	5-68
TRANSMISSION CASE AND REAR COVER	
C290, 36000 SERIES .....	5-8
TRANSMISSION CONTROLLER AND SHIFT LEVER .....	4-8
TRANSMISSION LINES AND ATTACHING PARTS .....	5-2
TURBOCHARGER .....	2-62
TURBOCHARGER PLUMBING .....	2-78
<b>U</b>	
UNDERFLOOR COVER MOUNT .....	1-24
UNIVERSAL SHAFT .....	5-5
<b>V</b>	
VALVE COVER .....	2-80
VIBRATION DAMPER .....	2-40
<b>W</b>	
WATER PUMP .....	2-86
WHEEL AND DRIVE PLATE	
C290, 36000 SERIES .....	5-24
WINDOW INSTALLATION .....	1-48
WINDOW WIPER SYSTEM	
SHEET 1 OF 2 .....	1-50
SHEET 2 OF 2 .....	1-52
WIRE HARNESS	
ARMREST .....	4-54
CAB LIGHT .....	4-46
CHASSIS .....	4-26
CLOSED CAB (→ S/N E117E01553C) .....	4-40
CLOSED CAB (S/N E117E01554C →) .....	4-42
FRONT LIGHTS .....	4-58
FRONT LIGHTS - ALTERNATE PART .....	4-60
HYDRAULIC LEVERS SWITCHES .....	4-102
HYDRAULIC RELAYS (S/N E117E01554C →) .....	4-80
HYDRAULIC RELAYS (→ S/N E117E01553C) .....	4-84
JOYSTICK (→ S/N E117E01553C) .....	4-56
LIGHT SWITCH - SHEET 1 .....	4-37
LIGHT SWITCH - SHEET 2 .....	4-38
LUBRICATION PUMP .....	4-36

**TABLE OF CONTENTS (continued)**

<b>DESCRIPTION</b>	<b>PAGE</b>
MAST .....	4-32
POWER PILE SLOPE .....	4-101
REAR .....	4-31
REAR WIPER EXTENSION .....	4-45
SIDE CONSOLE - SHEET 1 OF 2 (→ S/N E117E01553C) .....	4-62
SIDE CONSOLE - SHEET 2 OF 2 (→ S/N E117E01553C) .....	4-66
SIDE CONSOLE - SHEET 1 OF 3 (S/N E117E01554C →) .....	4-68
SIDE CONSOLE - SHEET 2 OF 3 (S/N E117E01554C →) .....	4-72
SIDE CONSOLE - SHEET 3 OF 3 (S/N E117E01554C →) .....	4-76
STAIR LIGHT .....	4-35
STEERING COLUMN .....	4-48
TRANSMISSION - T36000 SERIES .....	4-29
TRANSMISSION - T40000 SERIES .....	4-30
UNDERFLOOR (→ S/N E117E01553C) .....	4-50
UNDERFLOOR (S/N E117E01554C →) .....	4-52
WINDOW WASH PUMPS .....	4-100
WIRING ACCESSORIES	
ELECTRONIC CONTROL MODULE .....	4-98

**ABBREVIATIONS QUICK REFERENCE SHEET**

Listed below are abbreviations used in parts manuals to denote the following expressions:

<b>TERM</b>	<b>DEFINITION</b>	<b>TERM</b>	<b>DEFINITION</b>
Amp	Amperes	FRE	Freezer Environment
AR	As Required	in.	inches
BDI	Battery Discharge Indicators	LPG	Liquefied Petroleum Gas
BWI	Brush Wear Indicator	MAP	Manifold Absolute Pressure
CE	Communicator End	mm	millimeters
CRE	Corrosive Environment	MSTS	Microprocessor Spark Timing System
D/B	Date Break	NPT	National Pipe Threads
dbA	Decibel "A" Scale	O/S	Oversize
DE	Drive End	PTO	Power Take Off
ECH	Empty Container Handler	RPM	Revolutions per Minute
ECH-3	Empty Container Handler - 3 High Stacking	S/N	Serial Number
ECH-4	Empty Container Handler - 4 High Stacking	TMM	Truck Management Module
ECH-5	Empty Container Handler - 5 High Stacking	UL Type D	Diesel-Powered Safety Rating
ECH-6	Empty Container Handler - 6 High Stacking	UL Type DS	Diesel-Powered Safety Rating
ECH-7	Empty Container Handler - 7 High Stacking	UL Type E	Battery-Powered Safety Rating
ECM	Electronic Control Module	UL Type EE	Battery-Powered Safety Rating
ECN	Engineering Change Notice	UL Type ES	Battery-Powered Safety Rating
EEPROM	Electrically Erasable Programmable Read Only Memory	UL Type G	Gasoline-Powered Safety Rating
EPA	US Environmental Protection Agency	UL Type GS	Gasoline-Powered Safety Rating
EPROM	Electrically Programmable Read Only Memory	UL Type LP	Gas-Powered Safety Rating
		UL Type LPS	LP Gas-Powered Safety Rating
		U/S	Undersize
		UL	Underwriters Laboratory
		V	Volts

### HOW TO USE THE ILLUSTRATED PARTS MANUAL

This parts manual describes and illustrates assemblies, subassemblies, and detail parts needed for service replacement.

The different constructions are indicated by keys and footnotes. The callouts correspond to descriptions found on the next page.

**HYSTER** UNIT CODE D001 NORTH AMERICA 06/2001

**TABLE OF CONTENTS**

DESCRIPTION	PAGE
AIR INTAKE AND FILTER DIESEL (→ D/B 11/98).....	3-22
AIR INTAKE AND FILTER DIESEL (D/B 11/96 →).....	
AIR INTAKE AND FILTER GASOLINE AND LPG.....	
ALTERNATOR GASOLINE, LPG, AND DIESEL.....	
ALTERNATOR TYPES GS, LPS, AND DS.....	
AUXILIARY FUNCTION TUBE TWO AND THREE STAGE FULL P.....	

**SECTION 13 NUMERICAL INDEX**

PART NO.	PAGE NO.	ITEM NO.	PART NO.	PAGE NO.	ITEM NO.	PART NO.	PAGE NO.	ITEM NO.	PART NO.	PAGE NO.	ITEM NO.
142	3-4	19	10-13	25	11-27	29	12-31	12	16719	3-36	5
12445	3-32	19	10-17	6	11-31	25	16751	3-16	16849	3-34	21
	3-34	1	10-27	11	11-32	37	16849	3-36	16849	3-36	20
			11-11	6	8-4	45	16863	3-28	16865	3-6	18
			12-21	11	8-8	34	16865	4-27	16882	9-7	30
			14	13	9-7	9	16882	9-11	10-10	36	
			12	6	9-11	17		10-13	32		
			3	17	10-9	21		11-7	24		
			9	10	10-9	28		11-9	17		
			23	46	10-9	21					
			27	46	10-9	28					
			26	14	10-13	16					
			28	14	11-7	19					
			50	14	11-7	19					

**SECTIONS**

- 1
- 2
- 3
- 4
- 5 BRAKE/ACC
- 6
- 7 MAST-TWO STAG
- 8 MAST-THREE ST
- 9 MAST-TWO ST
- 10
- 11

**TRANSMISSION HOUSING**  
S/N D001H-2628

KEY:  
A: Diesel  
B: Gasoline and LPG

ITEM	PART NO.	DESCRIPTION	QTY	
			A	B
		Transmission	1	1
	2022547	Transmission	1	1
	2023329	Case	2	2
1	2021670	Bearing Cap	4	4
2	2023418	Washer	1	1
3	296429	Bolt	2	2
4	293947	Cover	2	2
5	2021390	Colter Pin	4	4
6	1371656	O-Ring	1	1
7	2021329	Plug	4	4
8	2021915	Housing	22	22
9	2021675	Pin	39	39
10	2021336	Bolt	1	1
11	287860	Lockwasher	1	1
12	292682	Hydraulic Pump	1	1
13		Figure 5-3	8	8
14	2021345	Gasket	1	1
15	214364	Bolt	1	1
16	296418	Washer	1	1
17	2021388	Temperature Switch	1	1
18	2021389	Breather	9	9
19	2021383	Dipstick	9	9
20	292515	Bolt	2	2
21	136692	Nut	3	3
22	292527	Bolt	3	2
23	292531	Capscrew	4	4
24	292583	Lockwasher	4	4
25	293637	Bolt	1	1
26	296420	Washer	1	1
	996403	Transmission Kit (Includes Item 7)	1	1
	996405	Transmission Kit (Includes Item 14)	1	1

This Parts Manual is divided into 11 major sections which are listed above. Quick be made by placing the right thumb on the tab of the desired section, bending the pages to the corresponding tab.

© Copy Right Date HYSTER COMPANY See Service Manual for service procedures. 5-15

HP990004

## HOW TO FIND THE DESIRED PART NUMBER

### WHEN THE PART NUMBER AND THE NEXT HIGHER ASSEMBLY IS NOT KNOWN:

1. Determine the function and application of the part required. Turn to the Sections Page. Choose the general area of reference most likely to include the part.
2. Turn to the section you chose. Use the Section Table of Contents to determine the assembly which would normally contain the part required. Then locate the part on the assembly breakdown page.

### WHEN THE PART NUMBER IS NOT KNOWN AND THE NEXT HIGHER ASSEMBLY IS KNOWN:

3. Determine the assembly the required part is used on. Turn to the Table of Contents (Page i).
4. Locate the assembly the required part is used on and turn to the page indicated for that assembly. Then locate the part on the assembly breakdown page.

### WHEN THE PART NUMBER IS KNOWN:

5. Use the Numerical Index (Page 14-1) to find the part number. Turn to the page listed and locate the part as indicated by the item number.

### GENERAL:

The assembly breakdowns include part numbers, descriptions, quantities required, keys and footnotes to help in selecting correct parts.

6. Parts Supersession Information. Part numbers that have this history will be displayed in the parts list in the order that they were superseded (from oldest to newest). The superseded part numbers will be shown with a line through them.

Five periods in the PART NO. column (. . . . .) indicate that the part is either *Not Serviced Separately* or there is a reference to another figure. A figure reference is denoted by a pointing hand followed by a figure number in the DESCRIPTION column (☞ Figure 10)

7. Keys are used to show two or more similar assemblies, RH and LH assembly parts, etc. Select the appropriate key, "A", "B", "C", "D", or "E" and the corresponding quantity column to find the required parts. Two periods in the QTY column (..) indicate that the part is not used for that assembly.
8. Indented descriptions under the DESCRIPTION column are used to indicate assemblies and

subparts of assemblies. In the example on the previous page, *BEARING CAP* (Item 2) is a subpart of the major assembly *CASE*.

9. Quantities shown are for one assembly. The quantities of the subpart *BEARING CAP* are indicated as two and two. This means two per *CASE* assembly.
10. Serial number breaks identify the most current parts information and are shown as follows:
  - **S/N D001H2628**  
Indicates last serial number affected.
  - S/N D001H2629** →  
Indicates the first serial number affected.
  - S/N D001H1553** ↔ **S/N D001H3291**  
Indicates a range of serial numbers affected.

ECN numbers for pending serial numbers are shown to allow for the inclusion of the most current parts information and are identified as follows:

- **S/N Pending Per ECN 63243**  
Indicates a pending serial number for last unit affected.
- S/N Pending Per ECN 63243** →  
Indicates a pending serial number for first unit affected.

Date breaks are used to indicate when a change occurred but a subsequent serial number break was not recorded. This is an arbitrary date usually based on the ECN release and are identified as follows:

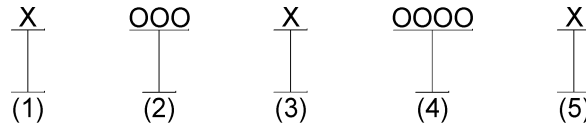
- **D/B 3/00**  
Indicates that a change occurred sometime within that month for the item affected.
- D/B 3/00** →  
Indicates that a change occurred sometime within that month for the item affected.
- D/B 3/00** ↔ **D/B 4/00**  
Indicates a range of production dates of the item affected.

Contact your local dealer for Hyster lift trucks for serial number information for items with a ECN or a date break.

### ORDERING PARTS:

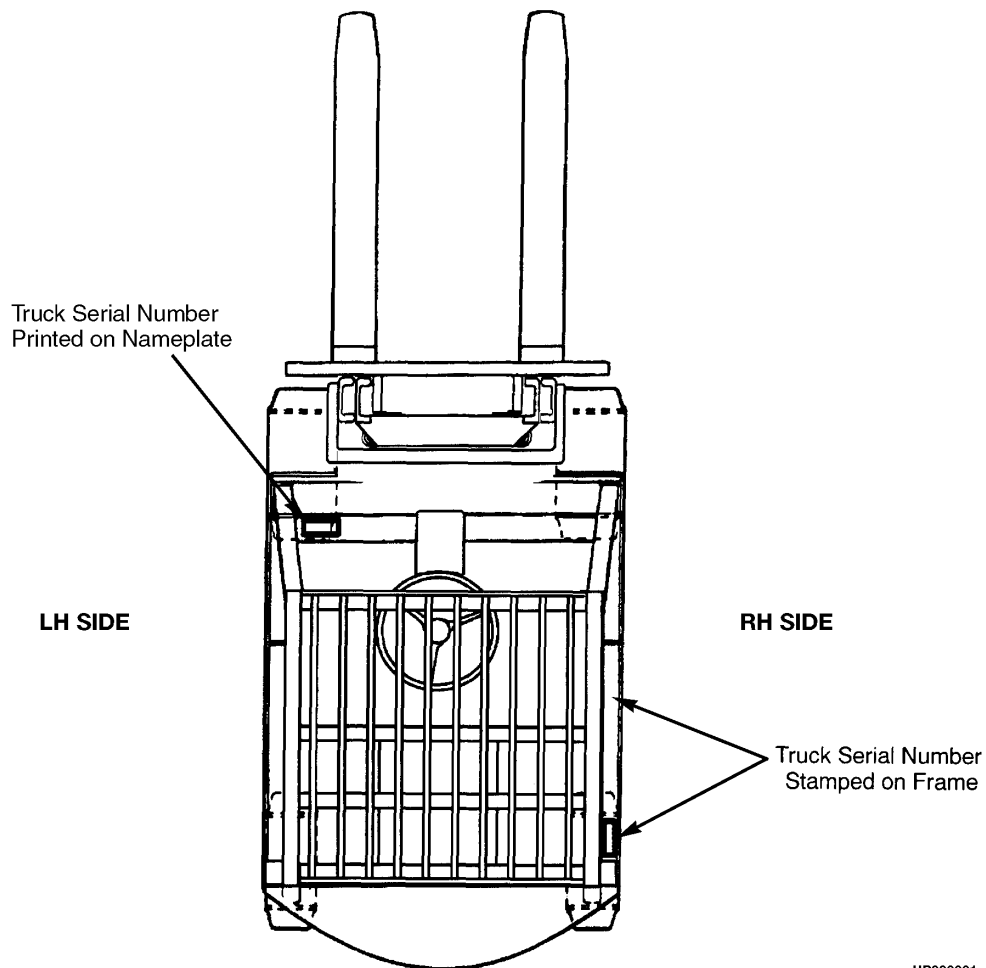
When ordering replacement parts, give the unit serial number, part number, name of part and quantity required.

For any further information on parts, service, or ordering, consult your local dealer for Hyster lift trucks.

**IDENTIFICATION OF TRUCK SERIAL NUMBERS**

- (1) and (2) The first letter and three numbers indicate the truck unit code.
- (3) The second letter indicates the plant of manufacture.
- (4) The four or five digit number indicates the production sequence number of the truck.
- (5) The final letter indicates the year of manufacture starting with "A" in 1957, 1980, and 2003.  
The letters "I", "O", and "Q" will not be used.

For pending serial numbers contact your local dealer for Hyster lift trucks.

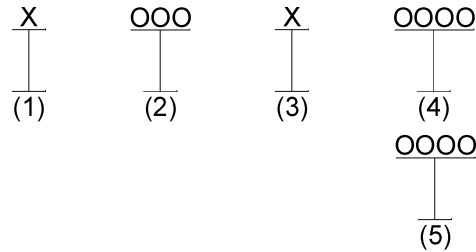


HP990001

Parts referred to in this book as right or left hand parts are in accordance with the illustration above.



## IDENTIFICATION OF MAST SERIAL NUMBERS



- (1) and (2) The first letter and number indicates the mast unit code.
- (3) The second letter indicates the plant of manufacture.
- (4) The four or five digit number indicates the production sequence number of the mast.
- (5) Carriage travel in millimeters stamped just below the serial number.

Mast Group identification consists of mast unit code (1) and (2) plus carriage travel (5).

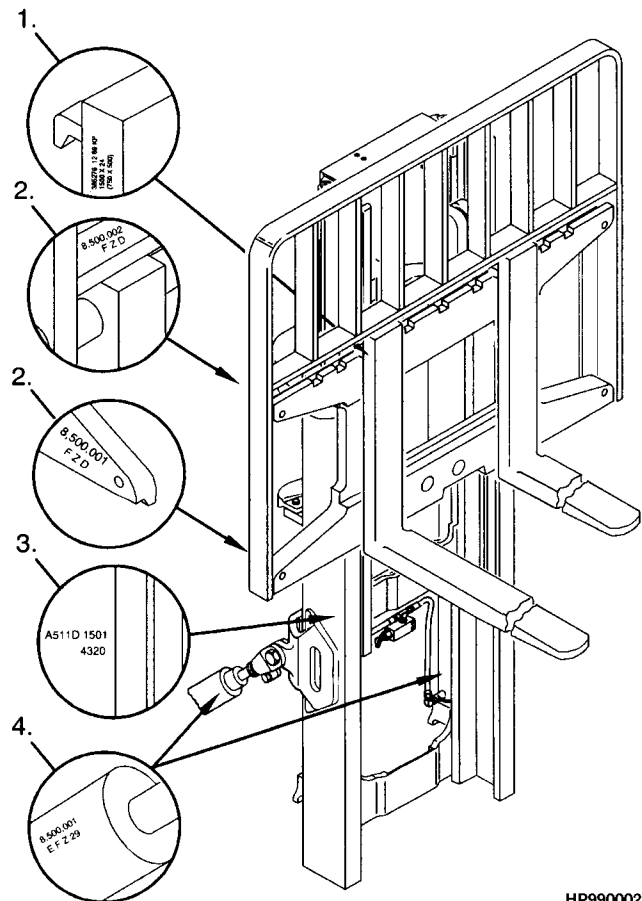
For pending production sequence numbers contact your local dealer for Hyster lift trucks.

## LIFT EQUIPMENT IDENTIFICATION

1. Fork part number, capacity rating, plant code letter, and date of manufacture are stamped approximately six inches below the top of most forks.
2. The carriage group number is stamped on the right hand side of the top crossmember (pin type) or on the back of the right hand end of the bottom crossmember (hook type). A date code has two letters in line with or below the carriage group number.
3. The mast identification number has a unit code, a letter indicating the plant of manufacture, and a serial number. Underneath the production sequence number is a four digit number that indicates the carriage travel in millimeters.
4. Tilt and lift cylinder group numbers are stamped on the cylinder shell.

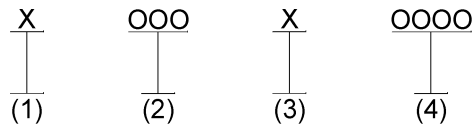
Always refer to the group, serial, or part number when ordering service parts.

Modification of masts and carriages by SPED (Special Products Engineering Department) are identified by a model prefix code beginning with the letter "S". contact your dealer for Hyster lift trucks for information on these assemblies.

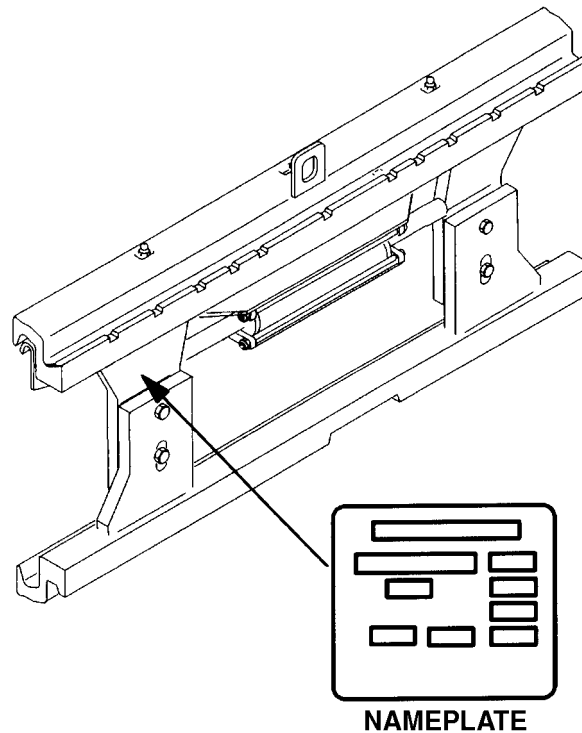


HP990002

## IDENTIFICATION OF ATTACHMENT AND SIDE-SHIFT CARRIAGE SERIAL NUMBERS



- (1) and (2) The first letter and three numbers indicate the attachment unit code.
- (3) The second letter indicates the plant of manufacture.
- (4) The four or five digit number indicates the production sequence number.
- For pending production sequence numbers contact your local dealer for Hyster lift trucks.



HP990003

Side-shift carriages and attachments have nameplates. Use the serial number found on the nameplate to identify the attachment.

Always refer to the group, serial, or part number when ordering service parts.

Modifications of attachments and side-shift carriages by SPED (Special Products Engineering Department) are identified by a model prefix code beginning with the letter "S". Contact your dealer for Hyster lift trucks for information on these assemblies.

## PUBLICATIONS

Every new lift truck is provided with an OPERATING MANUAL. This manual has information that the operator must know for inspection and operation of the lift truck.

SERVICE MAINTENANCE MANUALS, which provide service and overhaul procedures, and PARTS

MANUALS with complete replacement part identification, are available at a nominal fee from your Hyster dealer to assist users in effectively maintaining Hyster lift trucks in a safe, useful condition. See the list below for information on ordering specific publications for this model lift truck.

---

<b>PUBLICATION</b>	<b>HYSTER PART NUMBER</b>
Operating Manual.....	1546429
Service Manual (Complete).....	1546428
Parts Manual.....	1546427

**1**

**FRAME**